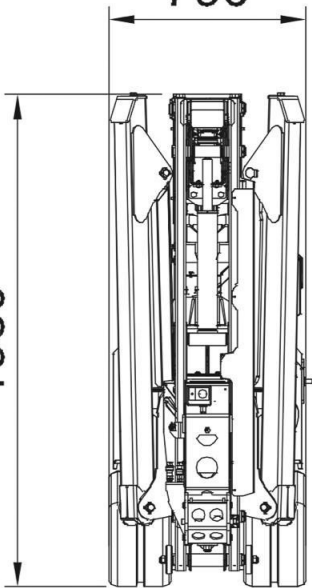
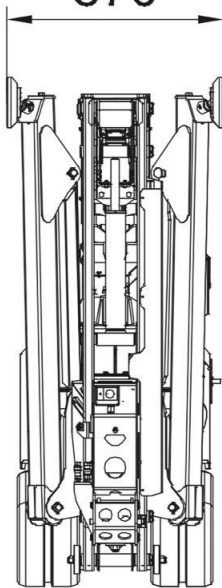


1980

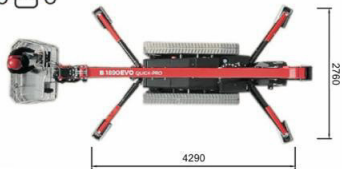
790



870



NARROW



WIDE



PARTIAL LEFT



PARTIAL RIGHT



PARTIAL REAR



PARTIAL FRONT



